

HZL1H Series Hazardous Location Light

HAZARDOUS LOCATION FIXTURES

100-277V

**LM79
LM80**



IP66



PROJECT INFORMATION

Project Name _____

Catalog No. _____ Date _____

DESCRIPTION

The ActiveLED® HZL1H Series Hazardous Location Light punches out 7,200 photopic lumen (14,400 scotopic lumen) at a staggering 150 lumen per Watt while being half the size of its companion the HZL1.

The HZL1H is engineered for durability in demanding conditions where explosive vapors, gases, moisture, corrosion and vibration are prevalent and reliability is critical.

The HZL1H's T5 temperature rating ensures the highest performance in ambient conditions, while offering optimum visibility for process, testing and inspection areas.

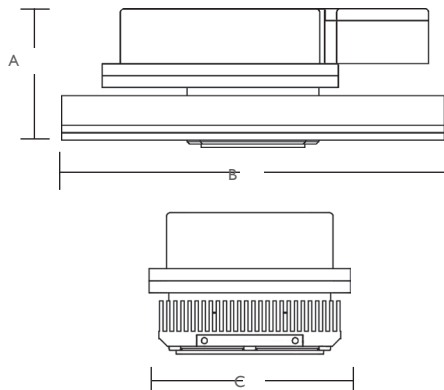
APPLICATIONS

Oil and Gas Refineries, Oil Drilling Rigs and Platforms, Mines, Ships, Shipyards, Wastewater Treatment Plants and more.



HZL1H Series Hazardous Location Light

DIMENSIONS

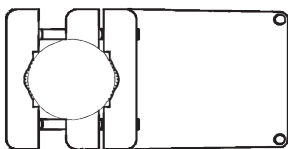


A	B	C
4.68"	12"	6.65"
11.88cm	30.48cm	16.89cm

FEATURES

- North America - Class I, Division I Groups B, C and D - T5
- Canada - Class I, Division I, Groups C, D and - T5
- ThermalDRAW™ Cooling Technology - Patented cooling technology ensures LED components will equal or exceed warranty.
- LUM-INTENSE™ - LED lighting luminaire technology that combines recent advancements in LED Modules, Drivers and Optics to deliver more lumens per watt in a smaller package.
- Light Shaper options Type I, Type 3 and Type V (standard).
- Replaceable extreme environment glass or polycarbonate lens covers.
- Fully enclosed drivers with 48W (7200lm) and 24W (3600lm) power option..
- Comes standard with 3/4" NPT Fitting and various mounting options.
- Warranty - 10 Year Warranty on LED elements, fixture housing, and LED Driver. See page 2 for additional warranty information.

MOUNTING OPTIONS



Clamp range 0.75" to 02.00" tube or pipe.
Clamp attaches to each end of luminaire.

OPTIONAL EXTREME ENVIRONMENT LENS



Part # 93-10023100



ActiveLED®
Energy Efficient Lighting and Controls



LIGHT OUTPUT

7,200 lm

WATTS

48 W

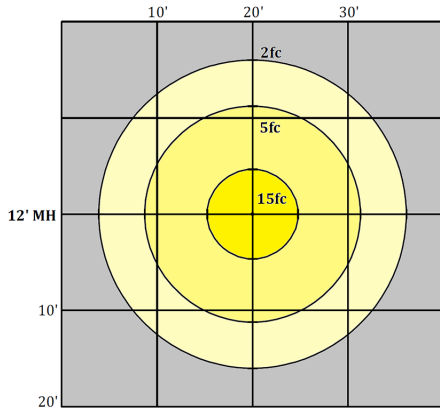
LUMENS per WATT

150 lm/W

LIGHT COLOR (CCT)

5,000K

PHOTOMETRICS



PERFORMANCE DATA

AMBIENT TEMPERATURES	0 HOURS	45,000 HOURS	90,000 HOURS
77°F (25°C)	1.00	0.99	0.99
104°F (40°C)	1.00	0.98	0.96
131°F (55°C)	1.00	0.96	0.92
140°F (60°C)	1.00	0.95	0.90

Projected Lumen Maintenance (TM-21)

NOTE: Calculated using data collected according to LM-80 lumen maintenance on the LED package.

NOTE: Photometrics shown for HZL1HU-XW 45W only. Contact company for photometrics on other sizes.

GENERAL SPECIFICATIONS

Input Voltage	Auto-Sensing 100-277 Volts AC, 50/60 Hz	LED Optics	IP66 rated, thermally bonded LEDs Patented thermal management mounting system
Input Power	60 / 48 / 24 Watt (R45 / R30)	CCT	Amber, Red, Green, 4000K, 5000K or 6000K
Power Factor	> 0.95 (at ~100-277 Volts)	Housing	Aluminum for enclosure and heat sinking parts, stainless hardware
THD	Total Harmonic Distortion (THD) <20% (typical 9%) at full load	Finish	Raw Aluminum
Driver	Integral driver with aluminum housing, integral heat sink and short circuit protection	Dimensions	4.68" Height, 6.65" Wide and 12" Length (11.88cm x 16.89cm x 30.48cm)
Operating Temperature	-58° F to 140° F (-50° C to 60° C)	Fixture Weight	14.5 lbs (7kg)
Lumen Lifetime	L90/90K Hrs @ 60° C (90,000 Hrs with 90% Luminous Flux)		

WARRANTY

Ten (10) Year Warranty - LEDs, Fixture and Driver shall conform to its published specifications under normal usage and operating conditions including "no light loss" of more than 10% at the end of the period. LEDs will produce at least 90% of their initial light output with no color shift after 90,000 hours of operation.

LISTINGS AND TESTS

UL844, Class I Division 1, ULI598, ULI598A, UL listed driver, CE, suitable for wet locations. RoHS compliant. IP66 Rated. LM-79 and LM-80 info available. Conforms to FCC Part 15.19 Subpart B Class A. Made in USA - ARRA Compliant.

ORDERING INFORMATION

Example: HZL1HU-B-WT50R45RAE

HZL1H		B	W	T				
Unit	Driver	Mount	Pattern	Diffuser	CCT	Watts	Color	Options
HZL1H Hazard Light Half-Size	U Universal Driver 100-277 VAC, 50/60 Hz	B Bolt, Trunion Mount	W Type V	T Tempered Glass	65 6,500K	R60 60W 9,000lm	RA Raw Aluminum	P Polycarbonate Lens
	L 12 VAC Low Voltage Driver	S0 Stanchion Straight(0°)	T1 Type I		50 5,000K	R45 48W 7,200lm	WH White	E Extreme Environment Glass Lens
		S25 Stanchion Angled(25°)	T3 TYPE III		40 4,000K	R30 24W 3,600lm		T1 Type I Shaper
		W3 Wall Mount (3/4")			Amber			T3 Type III Shaper
		W4 Wall Mount (1")			Red			
		M Magnet Mount			Green			

Note:

Stanchion mounts S0 and S25 assume 1-1/2" NPT pipe thread to be mounted to.
Wall Mount W3 has 3/4" NPT pipe thread in and out.
Wall Mount W4 has 1" NPT pipe thread in and out.